

Data sheet | Item number: 2273-203

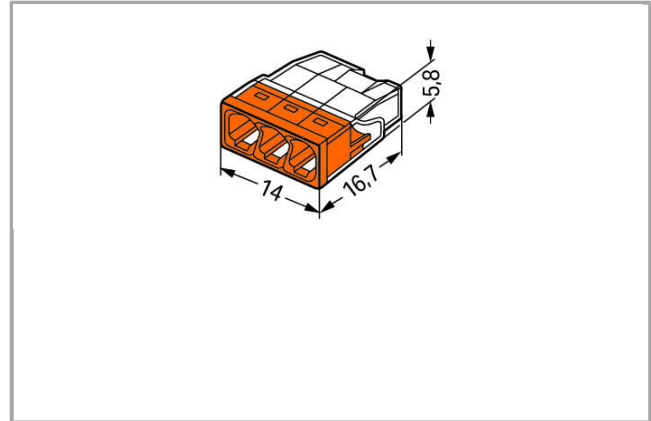
COMPACT splicing connector; for solid conductors; max. 2.5 mm²; 3-conductor; transparent housing; orange cover; Surrounding air temperature: max 60°C (T60); 2,50 mm²; transparent



2273-203



RoHS  Compliant 



Item description

Advantages:

- Convenient wiring via extremely compact design
- Push-in termination of up to eight solid conductors
- Cross section range: 0.5 ... 2.5 mm² (18 ... 14 AWG)
- Any combination of conductor sizes is possible
- PUSH WIRE® connection terminates solid ("s") copper conductors

Note:

Terminating Aluminum Conductors

WAGO spring clamp terminal blocks are suitable for solid aluminum conductors up to 4 mm²/12 AWG if WAGO "Alu-Plus" Contact Paste is used for termination.

"Alu-Plus" Contact Paste Advantages:

- Automatically destroys the oxide film during clamping.
- Prevents fresh oxidation at the clamping point.
- Prevents electrolytic corrosion between aluminum and copper conductors (in the same terminal block).
- Provides long-term protection against corrosion.



Using terminal blocks with PUSH WIRE® Spring Pressure Connection Technology, **aluminum conductors must first be cleaned with a blade** and then immediately be inserted into the clamping units filled with "Alu-Plus" Contact Paste.

It is also possible to apply WAGO "Alu-Plus" **additionally** on the whole surface of the aluminum conductor before termination.

Please note that the nominal currents must be adapted to the reduced conductivity of the aluminum conductors:

2.5 mm² (14 AWG) = 16 A

4 mm² (12 AWG) = 22 A

Safety information 1:

In grounded power lines

Data

Electrical data

Ratings per IEC/EN 60664-1

| | |
|--------------------------------|-------|
| Rated voltage (II / 2) | 450 V |
| Rated impulse voltage (II / 2) | 4 kV |
| Rated current | 24 A |

Connection data

| | |
|-----------------------------------|-------------------------------------|
| Connection technology | PUSH WIRE® |
| Actuation type | Push-in |
| Connectable conductor materials | Copper Aluminum |
| Solid conductor | 0.5 2.5 mm ² / 20 14 AWG |
| Strip length | 11 mm / 0.43 inch |
| Total number of connection points | 3 |
| Total number of potentials | 1 |
| Type of wiring | Side-entry wiring |

Geometrical Data

| | |
|--------|----------------------|
| Width | 14 mm / 0.551 inch |
| Height | 5.8 mm / 0.228 inch |
| Depth | 16.7 mm / 0.657 inch |

Material Data

| | |
|-----------------------------|-------------|
| Color | transparent |
| Cover color | orange |
| Flammability class per UL94 | V2 |
| Fire load | 0.019 MJ |

| | |
|--------|---------|
| Weight | 1.017 g |
|--------|---------|

Environmental Requirements



| | |
|---|--------|
| Surrounding air (operating) temperature | 60 °C |
| Continuous operating temperature | 105 °C |
| T-Marking per EN 60998 | T60 |

Commercial data




| | |
|--------------------|---------------------|
| Product Group | 7 (Push Wire Conn.) |
| Country of origin | DE |
| GTIN | 4050821027850 |
| Customs Tariff No. | 85369010000 |

Approvals / Certificates

Country specific Approvals

| Logo | Approval | Additional Approval Text | Certificate name |
|--|---|--------------------------|--------------------------|
|  | ABS American Bureau of Shipping | - | 15- HG1419918- PDA |
|  | VDE VDE Prüf- und Zertifizierungsinstitut | EN 60998 | 40029794 |

Ship Approvals

| Logo | Approval | Additional Approval Text | Certificate name |
|---|---|--------------------------|--------------------------|
|  | ABS American Bureau of Shipping | - | 15- HG1419918- PDA |
|  | DNV GL Det Norske Veritas, Germanischer Lloyd | EN 60998 | TAE000015T |
|  | LR Lloyds Register | EN 60998 | 04/20013 (E8) |

Compatible products

General accessories



Item no.: 2273-500

Mounting carrier; for single- and double-row con.; 2273 Series; for DIN-35 rail mounting/screw mounting; orange

2273-500



Item no.: 249-130

Syringe; Contents: 20 ml Alu-Plus contact paste

249-130

Downloads

Documentation

Bid Text

| | | | |
|----------|--|----------------|----------|
| 2273-203 | | doc 25.1 kB | Download |
|----------|--|----------------|----------|

Additional Information

| | | | |
|------------------------|-------------|---------------|----------|
| Technical explanations | Apr 3, 2019 | pdf 2.1 MB | Download |
|------------------------|-------------|---------------|----------|

CAD/CAE - Smart Data

CAD data

| | | | |
|----------------------|--|-----|----------|
| 3D Download 2273-203 | | URL | Download |
|----------------------|--|-----|----------|

EPLAN

| | | | |
|-------------------|--|--|----------|
| EPLAN Data Portal | | | Download |
|-------------------|--|--|----------|

WSCAD

| | | | |
|----------------|--|--|----------|
| WSCAD Universe | | | Download |
|----------------|--|--|----------|

Subject to changes.